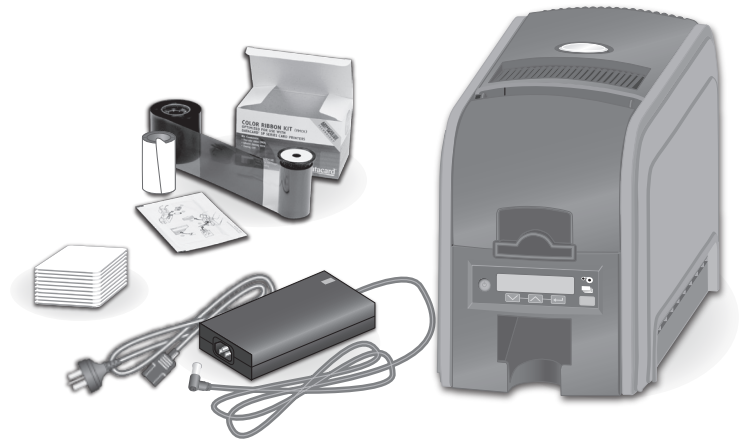


Datacard[®]

SD and CD Series Card Printers
For Printers Using the
Datacard XPS Driver

**USB and Network
Installation Instructions**

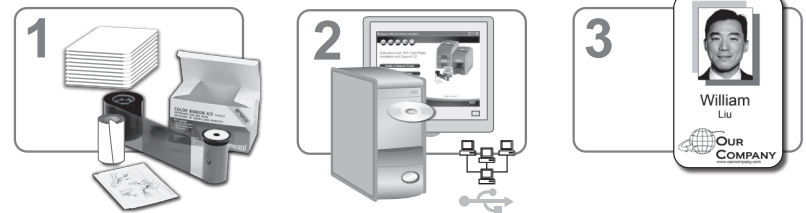
Quick Install Guide



Contents

Step 1: Prepare the Printer	2
Step 2: Plug In and Power On the Printer	4
Step 3: Set Up the PC.....	5
Step 4A: USB Setup.....	7
Step 4B: Network Setup.....	9
Step 5: Print Sample Card	12

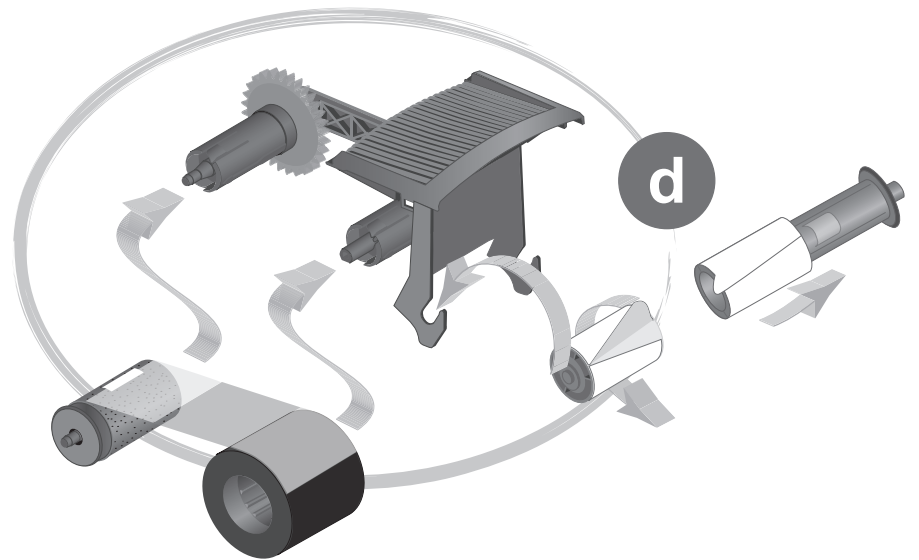
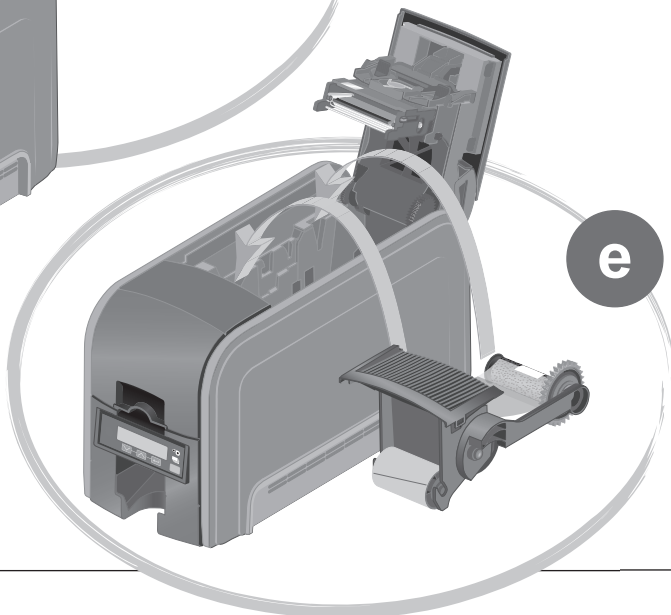
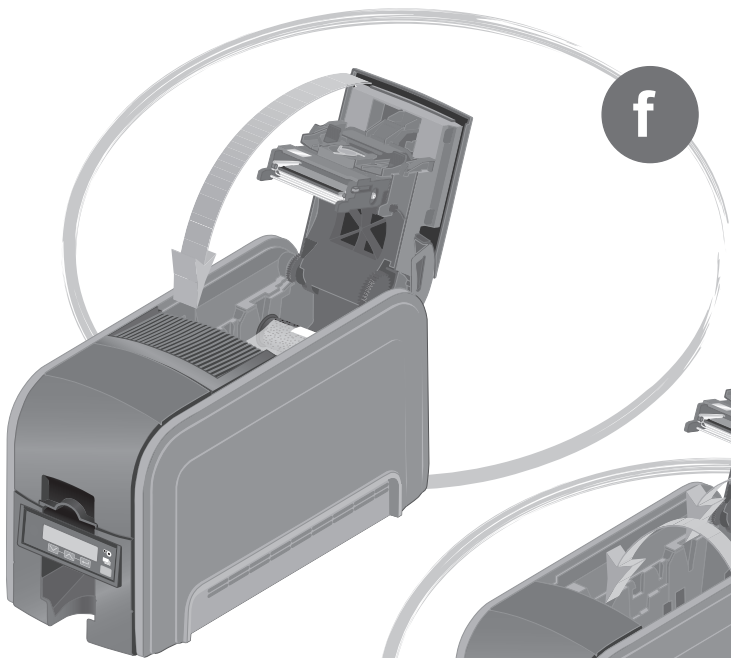
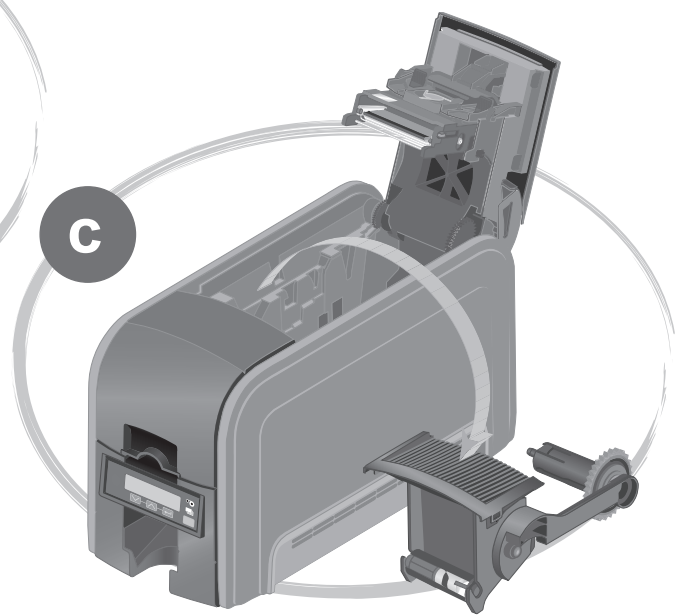
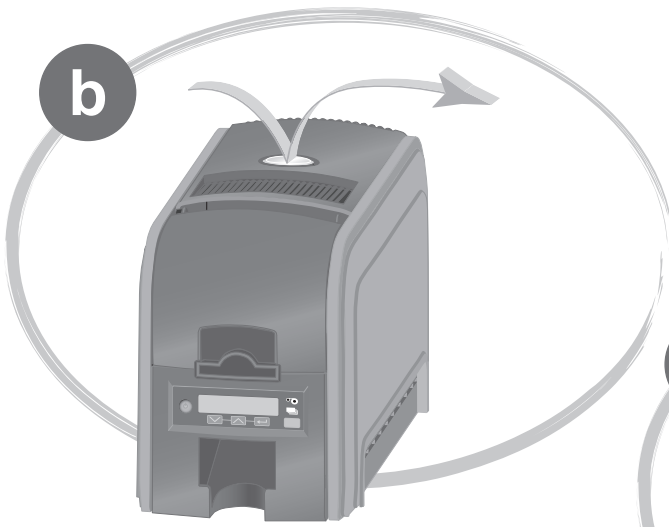
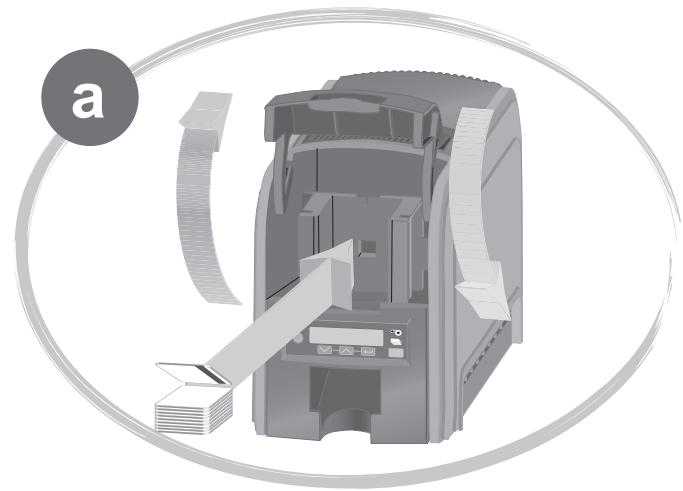
Installation Steps



*Supplies sold separately

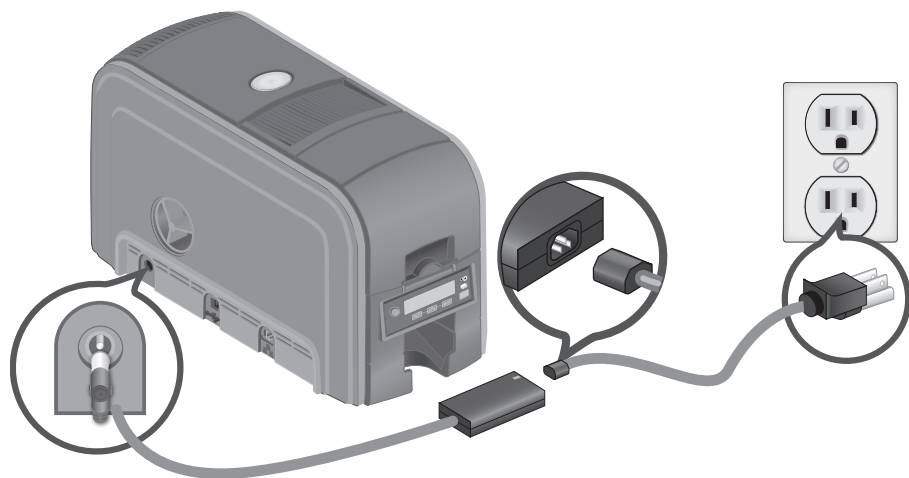
The printer must be used as installed and recommended by the printer manufacturer. You may not modify the printer or how it is used without written permission. Changes or modifications not expressly approved by the party responsible for compliance could void the user's authority to operate the equipment.

Step I: Prepare the Printer



Step 2: Plug In and Power On the Printer

a

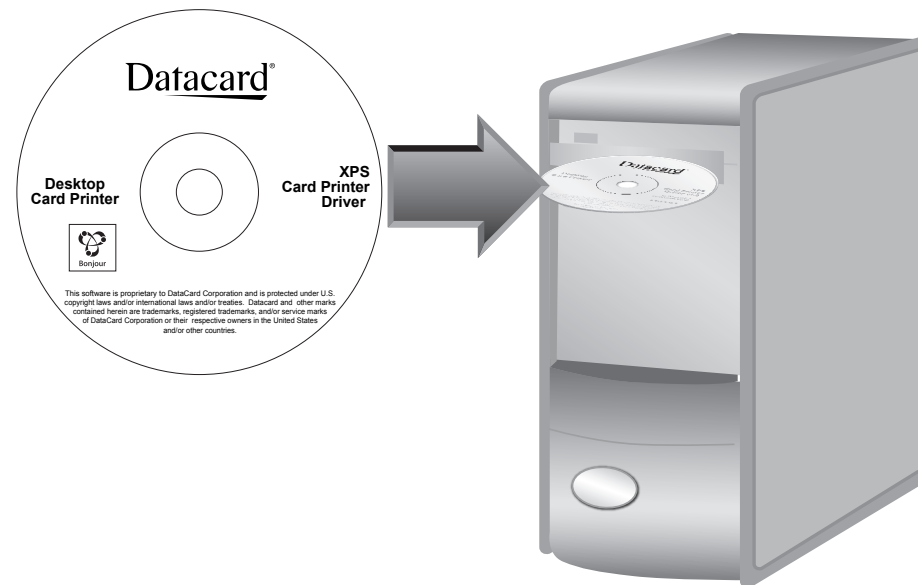


b

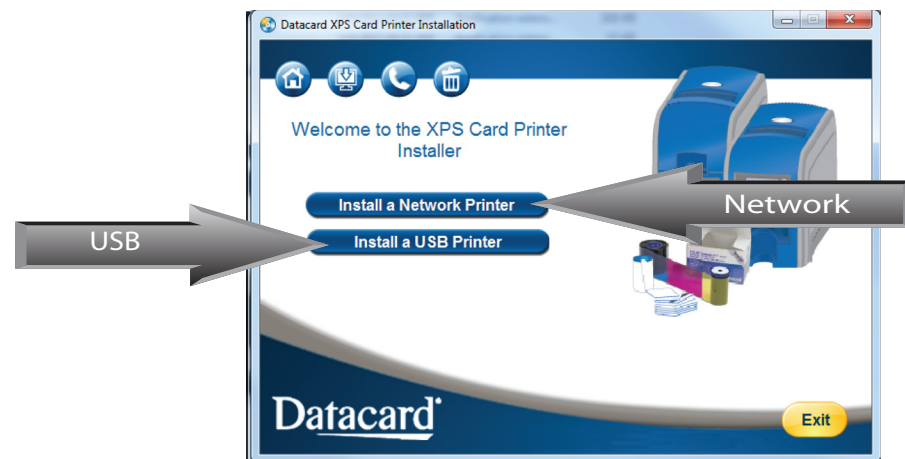


Step 3: Set Up the PC

a

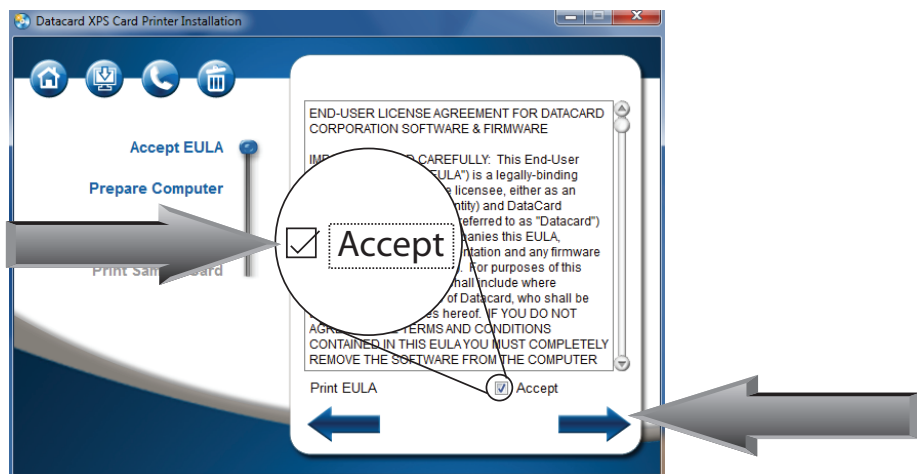


b



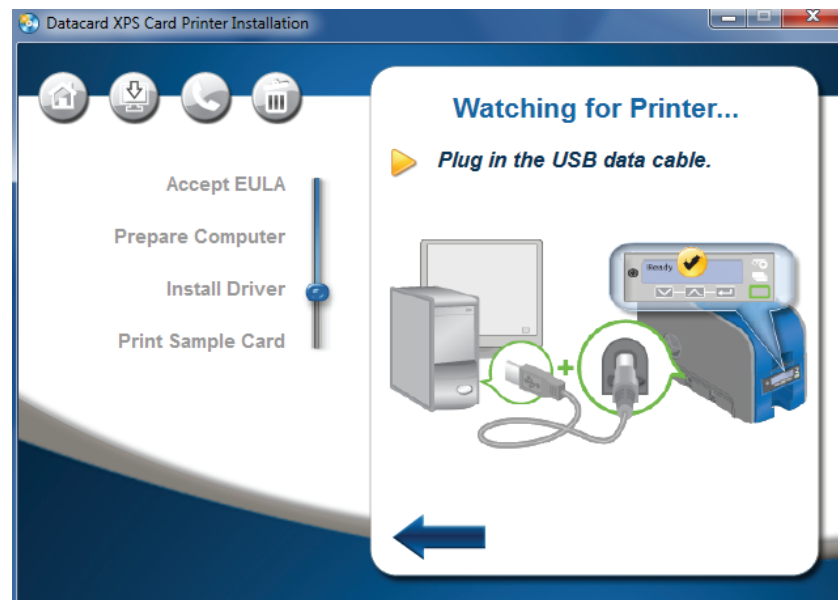
Step 3: Set Up the PC – continued

c

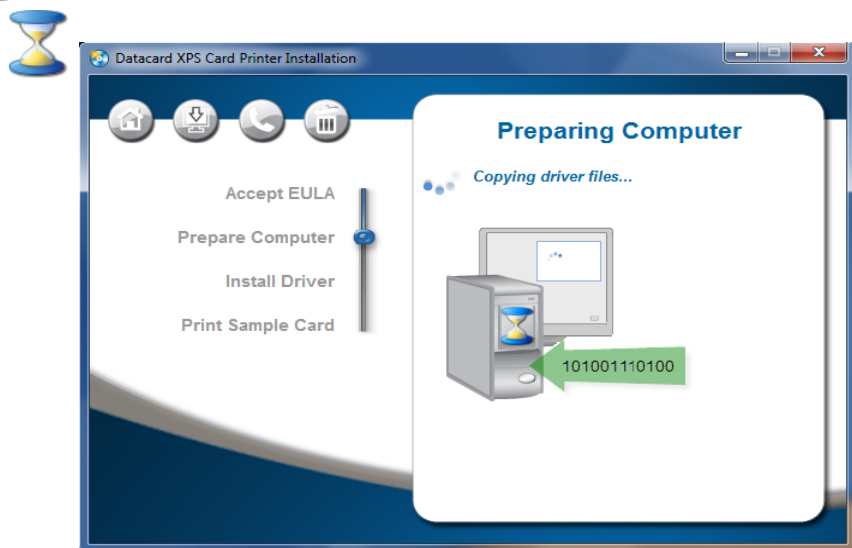


Step 4A: USB Setup

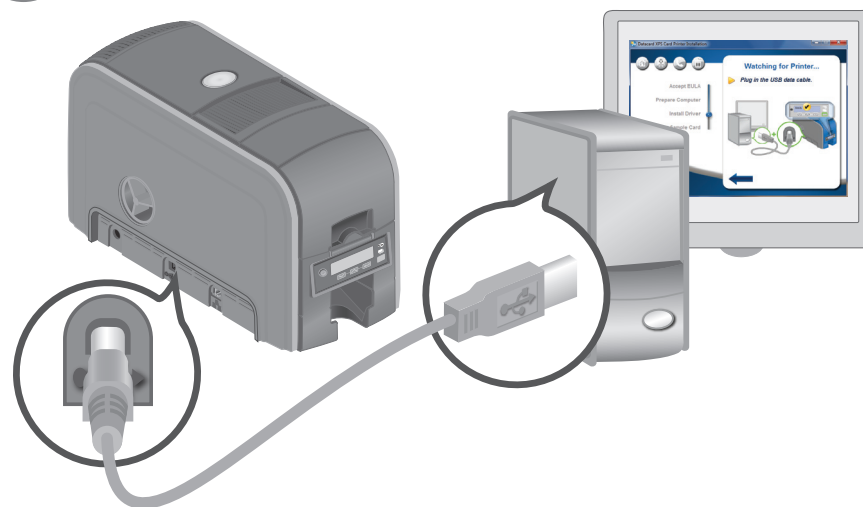
a



d



b

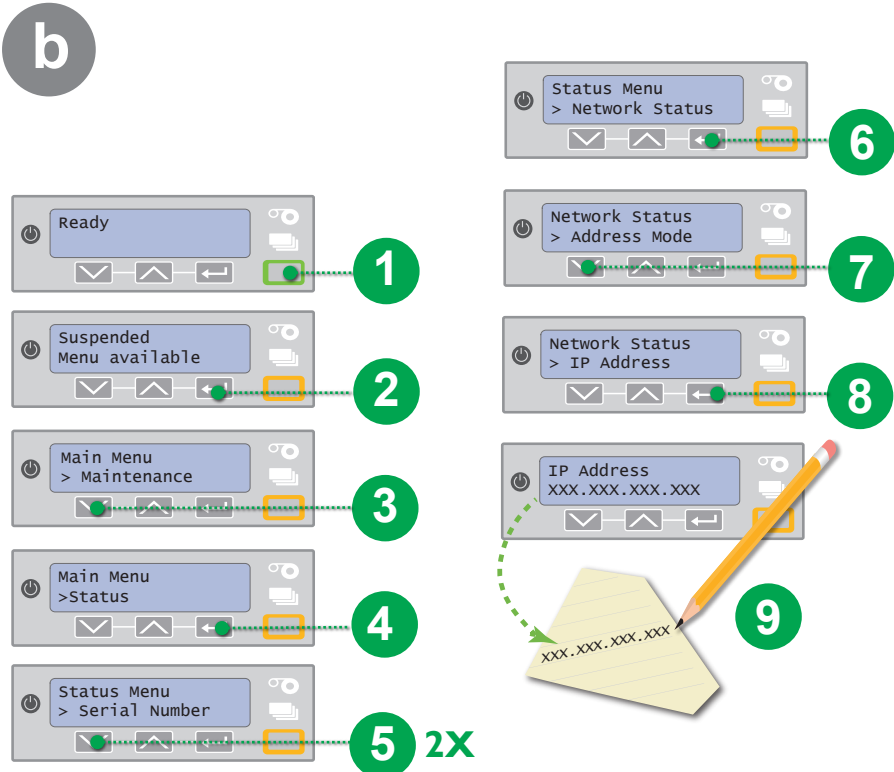
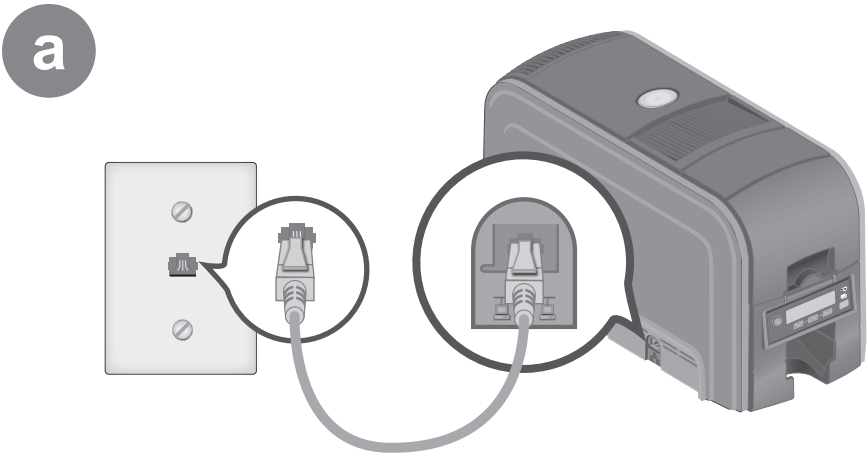


Step 4A: USB Setup – continued



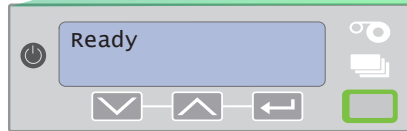
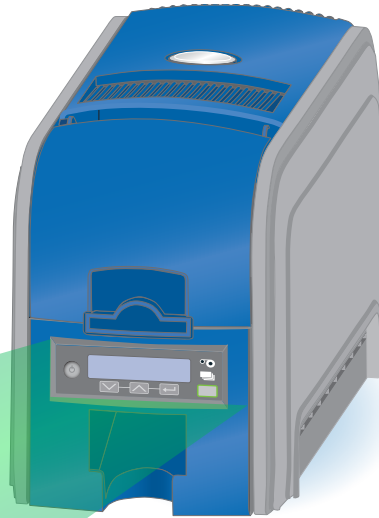
Go To “Step 5: Print Sample Card” on page 12

Step 4B: Network Setup

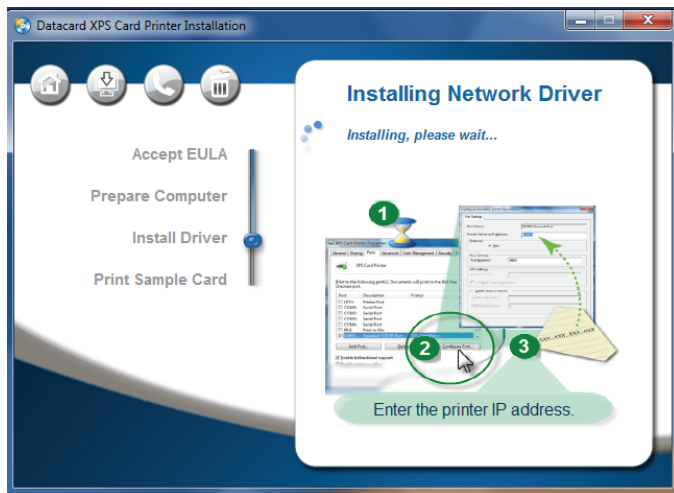


Step 4B: Network Setup – continued

C

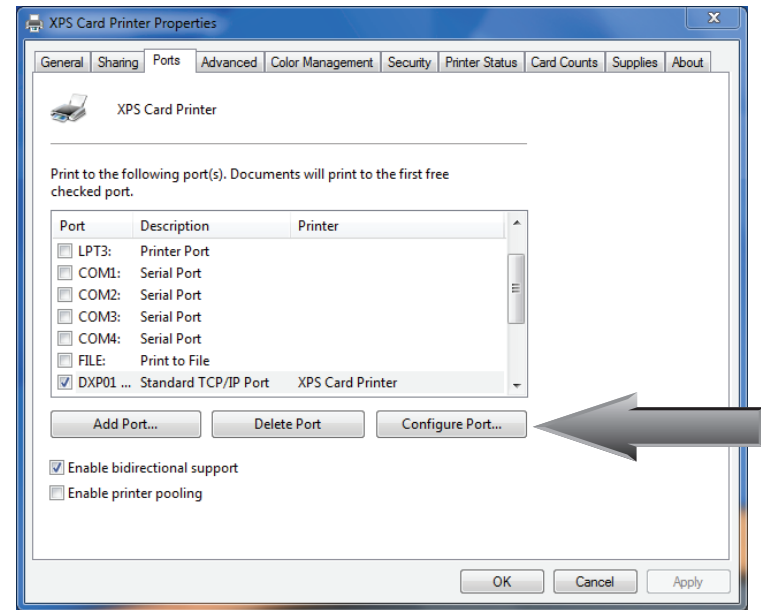


d

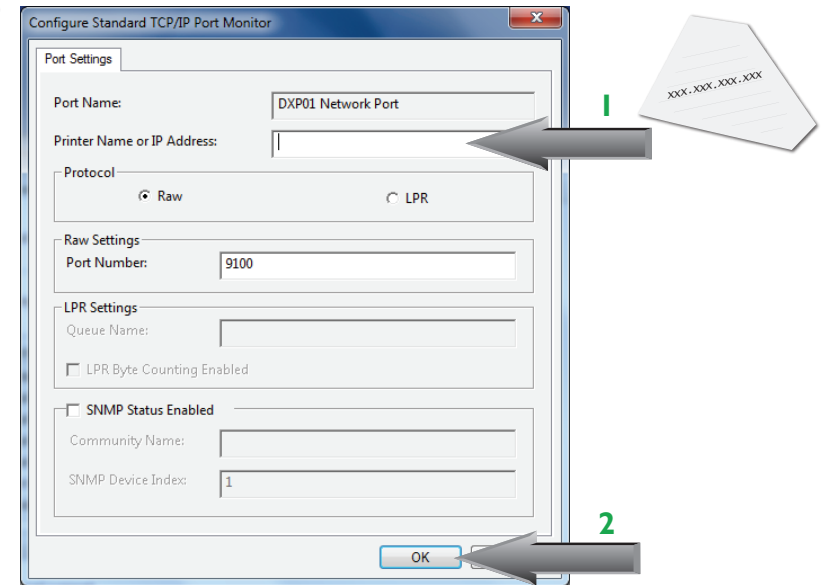


Step 4B: Network Setup – continued

e



f



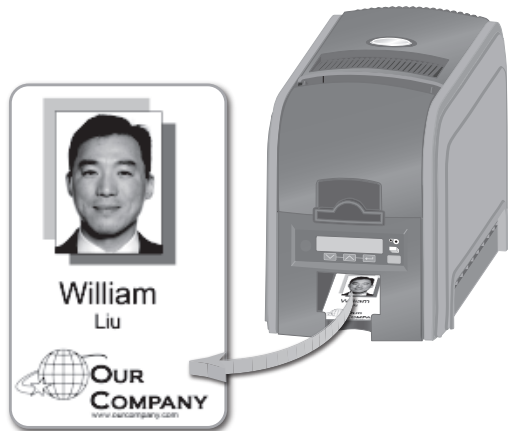
Go To “Step 5: Print Sample Card” on page 12

Step 5: Print Sample Card

a



b



Datacard®

1111 Bren Road West
Minnetonka, Minnesota 55343
952.933.1223 • 952.933.7971 Fax
www.datacard.com/id



Warning: This product contains chemicals, including lead, known to the State of California to cause cancer, and birth defects or other reproductive harm. *Wash hands after handling.*